



## LC864332A/28A/24A/20A/16A/12A

### 8-bit Single Chip Microcontroller

## Overview

The LC864332A/28A/24A/20A/16A/12A microcontrollers are 8-bit single chip microcontrollers with the following on-chip functional blocks:

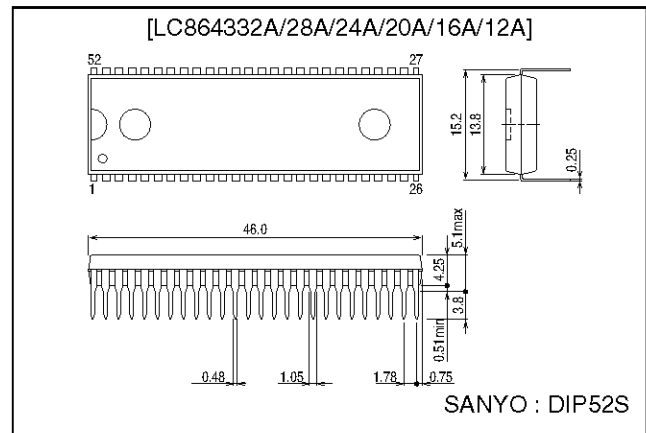
- CPU : Operable at a minimum bus cycle time of 0.5  $\mu$ s
- On-chip ROM maximum capacity : 32K bytes
- On-chip RAM capacity : 384 bytes
- CRT display RAM : 640  $\times$  9 bits
- Closed-caption TV controller and the on-screen display controller
- 16-bit timer/counter
- 4-channel  $\times$  5-bit A/D converter
- 8-bit synchronous serial-interface circuit
- Closed-caption data slicer
- 12-source 10-vectored interrupt system

All of the functions above are fabricated on a single chip.

## Package Dimensions

unit : mm

### 3128-DIP52S



## Feature

- |                                  |           |                                       |
|----------------------------------|-----------|---------------------------------------|
| (1) Read-only memory (ROM) :     | LC864332A | 32768 $\times$ 8 bits                 |
|                                  | LC864328A | 28672 $\times$ 8 bits                 |
|                                  | LC864324A | 24576 $\times$ 8 bits                 |
|                                  | LC864320A | 20480 $\times$ 8 bits                 |
|                                  | LC864316A | 16384 $\times$ 8 bits                 |
|                                  | LC864312A | 12288 $\times$ 8 bits                 |
| (2) Random access memory (RAM) : |           | 384 $\times$ 8 bits                   |
|                                  |           | 640 $\times$ 9 bits (for CRT display) |

(3) OSD functions

- Screen for display : 34 columns × 16 rows (at standard character size)
- Display for RAM : 640 × 9 bits (6 columns for control + 34 columns for display) × 16 rows × 9 bits
- 380 kinds of user specified characters
  - Caption/Text mode : (9 × 9 dots) × 126 kinds
  - OSD mode : (12 × 18 dots) × 254 characters (127 characters can also be used for Caption/Text mode)
- Various character attributes
  - Character colors : 16 colors
  - Character background colors : 16 colors
  - Fringe / shadow colors : 16 colors
  - Full screen colors : 16 colors
  - Fringe / shadow
  - Rounding
  - Underline
  - Italic character (slanting)
- Close-character attribute data changing available
- Vertical display start line setting in row unit available (Row overlapping available)
- Horizontal display start position setting available
- Display mode specification by row (Display mode mixable)  
caption mode / text mode / OSD mode
- Eight kinds of character size  
 Horiz. × Vert. = (1 × 1), (1 × 2), (2 × 2), (2 × 4)  
                   (1.5 × 1), (1.5 × 2), (3 × 2), (3 × 4)
- Shuttering and scrolling in row unit available
- Horizontal pitch of character selectable : 9 to 16 dots
- Polarity of R, G, B, I, BL output programmable
- Polarity of HS, VS input programmable

(4) Data slicer clock switching function

Clock source can be selected from LC oscillation or CF (or Crystal) oscillation.

(5) Bus cycle time / Instruction cycle time

The LC864332A/28A/24A/20A/16A/12A microcontrollers are designed to read the ROM twice within one instruction cycle. It has about 1.7 times performance capability within the same instruction-cycle compared to our 4-bit microcontrollers (LC66000 series).

The bus cycle time indicates the speed to read ROM.

Bus cycle time	Instruction cycle time	System clock oscillation	Oscillation frequency	Supply voltage
0.49 μs	0.99 μs	Ceramic or Crystal	12.08 MHz	4.5 V to 5.5 V
7.5 μs	15.0 μs	Internal RC	800 kHz	4.5 V to 5.5 V

(6) Ports

- Input/output port : 2 ports (16 lines)
- Input/output port programmable in nibble units : 1 port (8 lines)
- (When the N-ch open drain output is selected, bit-unit input is possible.)
- Input/output port programmable in a bit : 1 ports (8 lines)
- Input ports : 2 ports (8 lines)

(7) A/D converter

- 4-channel × 5-bit A/D converter (Converted with program)

(8) PWM output

- 10-channel × 7-bit PWM

(9) Timer

- Timer 0 : 16-bit timer / counter

2-bit prescaler + 8-bit built-in programmable prescaler

Mode 0 : Two 8-bit timers with a programmable prescaler

Mode 1 : 8-bit timer with a programmable prescaler + 8-bit counter

Mode 2 : 16-bit timer with a programmable prescaler

Mode 3 : 16-bit counter

The resolution of Timer is fixed to 1 tCYC.

- Timer 1 : 16-bit timer / PWM

Mode 0 : Two 8-bit timers

Mode 1 : 8-bit timer + 8-bit PWM

Mode 2 : 16-bit timer

Mode 3 : Variable-bit PWM (9 to 16 bits)

In Mode 0 and Mode 1, the resolution of Timer and PWM is tCYC.

In Mode 2 and Mode 3, the resolution of Timer and PWM can be selected with program : tCYC or 1/2tCYC.

(10) Remote-controlled receiver circuit (shares with the P73/INT3/T0IN terminal)

- Noise rejection function
- Polarity switching

(11) Watchdog timer

External RC circuit is required

Interrupt or system reset is selectable

(12) Interrupt system

- 12-source 10-vectored interrupts:

1. External interrupt INT0

2. External interrupt INT1

3. External interrupt INT2, Timer/counter T0L (lower 8 bits)

4. External interrupt INT3

5. Timer/counter T0H (upper 8 bits)

6. Timer T1H, T1L

7. Serial interface 0 (SIO0)

8. Data slicer

9. Vertical synchronous signal interrupt ( $\overline{VS}$ )

10. Port 0

- Interrupt priority control available

Three interrupt priorities are supported (low, high and the highest) and multilevel nesting is possible. Low or high priority can be assigned to the interrupts from 3 to 10 listed above. To the external interrupt INT0 and INT1, high or the highest priority can be given.

(13) Subroutine stack levels

- A maximum of 128 levels (Set the stack inside a RAM)

(14) Multiplication/division instruction

- 16 bits  $\times$  8 bits ( 7-instruction cycle times)

- 16 bits / 8 bits ( 7-instruction cycle times)

## LC864332A/28A/24A/20A/16A/12A

---

(15) 3 oscillation circuits

- On-chip RC oscillation circuit for the system clock
- On-chip CF oscillation circuit for the system clock
- On-chip LC oscillation circuit for the CRT synchronization

(16) Standby function

- HALT mode function

The HALT mode is used to reduce the power dissipation. In this mode, the program execution is stopped.

This mode can be released by the interrupt request signal or the system reset.

- HOLD Mode

The HOLD mode is used to stop oscillations ; the RC (internal) and the ceramic oscillations.

This mode can be released by the following operations.

- Set the reset terminal ( $\overline{\text{RES}}$ ) to low level.
- Feed the selected level to either P70/INT0 or P71/INT1.
- Feed the Port 0 interrupt condition.

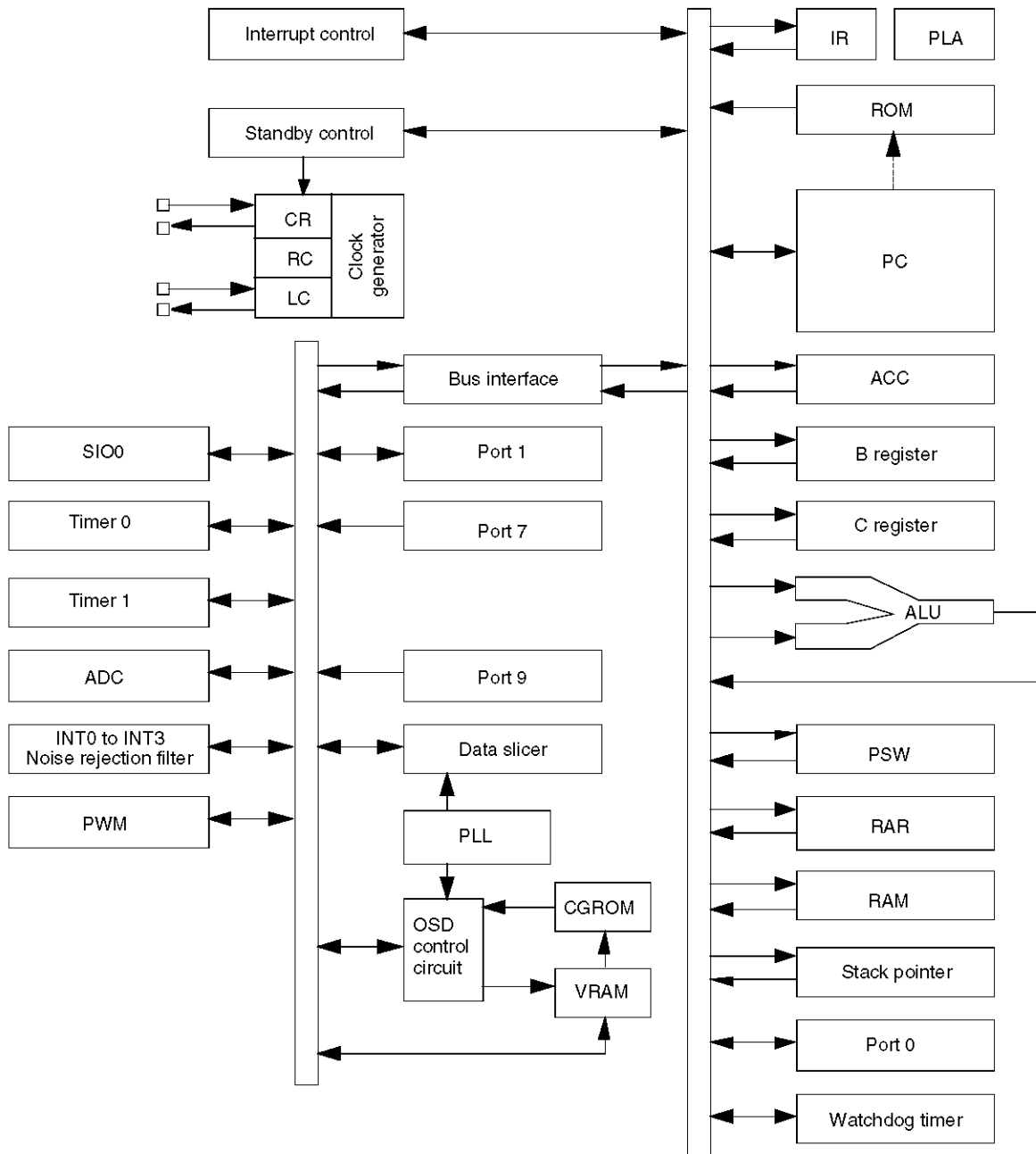
(17) Factory shipment

DIP52S

(18) Development Tool

- Evaluation chip : LC866098
- EPROM with a Window : LC86E4332
- One time ROM version : LC86P4332
- Emulator : EVA86000 (Main) + ECB864300 (Evaluation board) + POD864100 (Pod)

System Block Diagram



## LC864332A/28A/24A/20A/16A/12A

### Pin Assignment

P10/SO0	□ 1	□ 52	□ P07
P11/SI0/SB0	□ 2	□ 51	□ P06
P12/SCK0	□ 3	□ 50	□ P05
P13	□ 4	□ 49	□ P04
P14	□ 5	□ 48	□ P03
P15	□ 6	□ 47	□ P02
P16	□ 7	□ 46	□ P01
P17/PWM	□ 8	□ 45	□ P00
DVSS	□ 9	□ 44	□ P73/INT3/T0IN
CF1	□ 10	□ 43	□ P72/INT2/T0IN
CF2	□ 11	□ 42	□ P71/INT1
DVDD	□ 12	□ 41	□ P70/INT0
P90/AN0	□ 13	□ 40	□ PWM9
P91/AN1	□ 14	□ 39	□ PWM8
P92/AN2	□ 15	□ 38	□ PWM7
P93/AN3	□ 16	□ 37	□ PWM6
$\overline{\text{RES}}$	□ 17	□ 36	□ PWM5
LC1	□ 18	□ 35	□ PWM4
LC2	□ 19	□ 34	□ PWM3
FILT	□ 20	□ 33	□ PWM2
AVDD	□ 21	□ 32	□ PWM1
AVSS	□ 22	□ 31	□ PWM0
CVIN	□ 23	□ 30	□ BL
$\overline{\text{VS}}$	□ 24	□ 29	□ B
$\overline{\text{HS}}$	□ 25	□ 28	□ G
I	□ 26	□ 27	□ R

Top view

## LC864332A/28A/24A/20A/16A/12A

### Pin Description

- Port option can be specified in bit units except the pull-up resistor selection of port 0.

Pin Description Table

Pin name	Pin No.	I/O	Function description	Option																																											
DVSS	9	—	Negative power supply for digital circuit																																												
CF1	10	Input	Input terminal for ceramic resonator																																												
CF2	11	Output	Output terminal for ceramic resonator																																												
DVDD	12	—	Positive power supply for digital circuit																																												
$\overline{\text{RES}}$	17	Input	Reset terminal																																												
LC1	18	Input	LC oscillation circuit input terminal																																												
LC2	19	Output	LC oscillation circuit output terminal																																												
FILT	20	Output	Filter terminal for PLL																																												
AVDD	21	—	Positive power supply for analog circuit																																												
AVSS	22	—	Negative power supply for analog circuit																																												
CVIN	23	Input	Video signal input terminal																																												
$\overline{\text{VS}}$	24	Input	Vertical synchronization signal input terminal																																												
$\overline{\text{HS}}$	25	Input	Horizontal synchronization signal input terminal																																												
I	26	Output	Image intensity output																																												
R	27	Output	Red (R) output terminal of RGB image output																																												
G	28	Output	Green (G) output terminal of RGB image output																																												
B	29	Output	Blue (B) output terminal of RGB image output																																												
BL	30	Output	Fast blanking control signal Switch TV image signal and caption / OSD image signal																																												
PWM0 to PWM9	31 to 40	Output	PWM0 to 9 output terminal 15 V withstand																																												
Port 0 P00 to P07	45 to 52	I/O	8-bit Input/output port Input/output can be specified in nibble units HOLD release input Interrupt input	Pull-up resistor Provided/not provided (in bit units) Output Format CMOS/Nch-OD (in bit units)																																											
Port 1 P10 to P17	1 to 8	I/O	8-bit Input/output port Input/output can be specified in bit units. Other function <table border="1" style="margin-left: 20px;"> <tr><td>P10</td><td>SIO0 data output</td></tr> <tr><td>P11</td><td>SIO0 data input / bus input / output</td></tr> <tr><td>P12</td><td>SIO0 clock input / output</td></tr> <tr><td>P17</td><td>Timr1 (PWM) output</td></tr> </table>	P10	SIO0 data output	P11	SIO0 data input / bus input / output	P12	SIO0 clock input / output	P17	Timr1 (PWM) output	Output Format CMOS/Nch-OD (in bit units)																																			
P10	SIO0 data output																																														
P11	SIO0 data input / bus input / output																																														
P12	SIO0 clock input / output																																														
P17	Timr1 (PWM) output																																														
Port 7 P70 P71 to P73	41 42 to 44	I/O Input	4-bit input port Other function <table border="1" style="margin-left: 20px;"> <tr><td>P70</td><td>INT0 input / HOLD release input / Nch-transistor output for watchdog timer</td></tr> <tr><td>P71</td><td>INT1 input / HOLD release input</td></tr> <tr><td>P72</td><td>INT2 input / timer 0 event input</td></tr> <tr><td>P73</td><td>INT3 input (noise rejection filter attached input) / timer 0 event input</td></tr> </table> <p>Interrupt receiver format vector address</p> <table border="1" style="margin-left: 20px;"> <thead> <tr> <th></th> <th>Rising</th> <th>Falling</th> <th>Rising/falling</th> <th>H level</th> <th>L level</th> <th>Vector</th> </tr> </thead> <tbody> <tr> <td>INT0</td> <td>enable</td> <td>enable</td> <td>disable</td> <td>enable</td> <td>enable</td> <td>03H</td> </tr> <tr> <td>INT1</td> <td>enable</td> <td>enable</td> <td>disable</td> <td>enable</td> <td>enable</td> <td>0BH</td> </tr> <tr> <td>INT2</td> <td>enable</td> <td>enable</td> <td>enable</td> <td>disable</td> <td>disable</td> <td>13H</td> </tr> <tr> <td>INT3</td> <td>enable</td> <td>enable</td> <td>enable</td> <td>disable</td> <td>disable</td> <td>1BH</td> </tr> </tbody> </table>	P70	INT0 input / HOLD release input / Nch-transistor output for watchdog timer	P71	INT1 input / HOLD release input	P72	INT2 input / timer 0 event input	P73	INT3 input (noise rejection filter attached input) / timer 0 event input		Rising	Falling	Rising/falling	H level	L level	Vector	INT0	enable	enable	disable	enable	enable	03H	INT1	enable	enable	disable	enable	enable	0BH	INT2	enable	enable	enable	disable	disable	13H	INT3	enable	enable	enable	disable	disable	1BH	Pull-up resistor provided/ not provided (in bit units)
P70	INT0 input / HOLD release input / Nch-transistor output for watchdog timer																																														
P71	INT1 input / HOLD release input																																														
P72	INT2 input / timer 0 event input																																														
P73	INT3 input (noise rejection filter attached input) / timer 0 event input																																														
	Rising	Falling	Rising/falling	H level	L level	Vector																																									
INT0	enable	enable	disable	enable	enable	03H																																									
INT1	enable	enable	disable	enable	enable	0BH																																									
INT2	enable	enable	enable	disable	disable	13H																																									
INT3	enable	enable	enable	disable	disable	1BH																																									

## LC864332A/28A/24A/20A/16A/12A

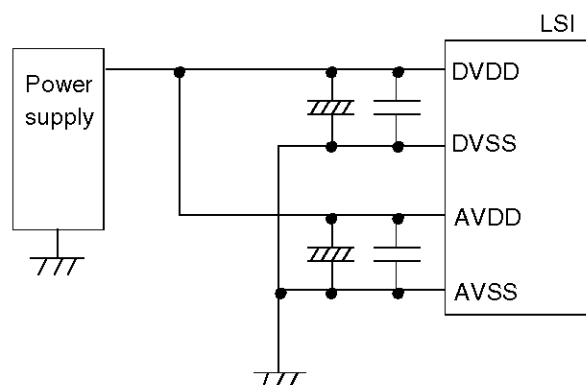
Pin name	Pin No.	I/O	Function Description	Option
Port 9	13 to 16	Input	4-bit input port	
P90 to P93			Other function AD converter input port (4 lines)	

- Any port option can be selected in bit units.
- Port 0 portion : Pull-up resistor is provided when CMOS output is selected.  
The pull-up resistor is not provided when N-ch Open Drain is selected.
- Port 1 option : Programmable pull-up resistor is provided when any output form is selected.

- Port status during reset

Terminal	I/O	Pull-up resistor status at selecting pull-up option
Port 0	Input	Pull-up resistor OFF, ON after reset release
Port 1	Input	Programmable pull-up resistor OFF
Port 7	Input	Fixed pull-up resistor provided

- AVDD and AVSS are the power supply terminals for built-in analog circuit. DVDD and DVSS are the power supply terminals for built-in digital circuit. Connect them like the following figure to reduce the mutual noise-influence.





## Specifications

### 1. Absolute Maximum Ratings at Ta=25°C, V<sub>SS</sub> = 0 V

Parameter	Symbol	Pins	Conditions	Ratings			Unit		
				V <sub>DD</sub> [V]	min	typ		max	
Supply voltage	V <sub>DD max</sub>	DVDD, AVDD	DVDD = AVDD		-0.3		+7.0	V	
Input voltage	V <sub>I(1)</sub>	<ul style="list-style-type: none"> <li>• P71, 72, 73</li> <li>• Port 9</li> <li>• RES, HS, VS, CVIN</li> </ul>			-0.3		V <sub>DD</sub> +0.3		
Output voltage	V <sub>O(1)</sub>	R, G, B, BL, I, FILT			-0.3		V <sub>DD</sub> +0.3		
	V <sub>O(2)</sub>	PWM0 to PWM9			-0.3		+15		
Input/output voltage	V <sub>IO</sub>	Ports 0, 1, P70			-0.3		V <sub>DD</sub> +0.3		
High-level output current	Peak output current	I <sub>OPH(1)</sub>	Ports 0, 1	<ul style="list-style-type: none"> <li>• Pull-up MOS transistor output</li> <li>• At each pin</li> </ul>		-2			mA
		I <sub>OPH(2)</sub>	Ports 0, 1	<ul style="list-style-type: none"> <li>• CMOS output</li> <li>• At each pin</li> </ul>		-4			
		I <sub>OPH(3)</sub>	R, G, B, BL, I	<ul style="list-style-type: none"> <li>• CMOS output</li> <li>• At each pin</li> </ul>		-5			
	Total output current	ΣI <sub>OAH(1)</sub>	Port 1	The total of all pins		-10			
		ΣI <sub>OAH(2)</sub>	Port 0	The total of all pins		-10			
		ΣI <sub>OAH(3)</sub>	R, G, B, BL, I	The total of all pins		-15			
Low-level output current	Peak output current	I <sub>OPL(1)</sub>	Ports 0, 1	At each pin				20	
		I <sub>OPL(2)</sub>	P70	At each pin				30	
		I <sub>OPL(3)</sub>	<ul style="list-style-type: none"> <li>• R, G, B, BL, I</li> <li>• PWM0 to PWM9</li> </ul>	At each pin				5	
	Total output current	ΣI <sub>OAL(1)</sub>	Port 0	The total of all pins					40
		ΣI <sub>OAL(2)</sub>	Port 1, P70	The total of all pins					40
		ΣI <sub>OAL(3)</sub>	R, G, B, BL, I	The total of all pins					15
		ΣI <sub>OAL(4)</sub>	PWM0 to PWM9	The total of all pins					30
Maximum power dissipation	P <sub>d max</sub>	DIP52S	Ta = -30 to +70°C				430	mW	
Operating temperature range	T <sub>opr</sub>				-30		+70	°C	
Storage temperature range	T <sub>stg</sub>				-55		+150		

\* DVSS and AVSS must be supplied the same voltage, V<sub>SS</sub>.

DVDD and AVDD must be supplied the same voltage, V<sub>DD</sub>.

V<sub>SS</sub> = DVSS = AVSS

V<sub>DD</sub> = DVDD = AVDD

## LC864332A/28A/24A/20A/16A/12A

### 2. Recommended Operating Range at Ta = -30°C to +70°C, V<sub>SS</sub> = 0 V

Parameter	Symbol	Pins	Conditions	Ratings			Unit	
				V <sub>DD</sub> [V]	min	typ		max
Operating supply voltage range	V <sub>DD</sub>	DVDD, AVDD	0.97 μs ≤ tCYC tCYC ≤ 1.02 μs		4.5		5.5	V
Hold voltage	V <sub>HD</sub>	DVDD, AVDD	RAMs and the registers hold data at HOLD mode.		2.0		5.5	
Input high-level voltage	V <sub>IH</sub> (1)	Port 0 (Schmitt)	Output disable	4.5 to 5.5	0.6V <sub>DD</sub>		V <sub>DD</sub>	
	V <sub>IH</sub> (2)	• Port 1 (Schmitt) • P72, 73 • $\overline{HS}$ , $\overline{VS}$	Output disable	4.5 to 5.5	0.75V <sub>DD</sub>		V <sub>DD</sub>	
	V <sub>IH</sub> (3)	• P70 port input / interrupt • P71 • $\overline{RES}$ (Schmitt)	Output N-channel transistor OFF	4.5 to 5.5	0.75V <sub>DD</sub>		V <sub>DD</sub>	
	V <sub>IH</sub> (4)	P70 Watchdog timer input	Output N-channel transistor OFF	4.5 to 5.5	V <sub>DD</sub> -0.5		V <sub>DD</sub>	
	V <sub>IH</sub> (5)	Port 9 port input		4.5 to 5.5	0.7V <sub>DD</sub>		V <sub>DD</sub>	
Input low-level voltage	V <sub>IL</sub> (1)	Port 0 (Schmitt)	Output disable	4.5 to 5.5	V <sub>SS</sub>		0.2V <sub>DD</sub>	
	V <sub>IL</sub> (2)	• Port 1 (Schmitt) • P72, 73 • $\overline{HS}$ , $\overline{VS}$ • Port 9	Output disable	4.5 to 5.5	V <sub>SS</sub>		0.25V <sub>DD</sub>	
	V <sub>IL</sub> (3)	• P70 port input / interrupt • P71 • $\overline{RES}$ (Schmitt)	N-channel transistor OFF	4.5 to 5.5	V <sub>SS</sub>		0.25V <sub>DD</sub>	
	V <sub>IL</sub> (4)	P70 Watchdog timer input	N-channel transistor OFF	4.5 to 5.5	V <sub>SS</sub>		0.6V <sub>DD</sub>	
	V <sub>IL</sub> (5)	Port 9 port input		4.5 to 5.5	V <sub>SS</sub>		0.3V <sub>DD</sub>	
CVIN input amplitude	V <sub>CVIN</sub>	CVIN		5.0	1Vp-p -3dB	1Vp-p	1Vp-p +3dB	Vp-p *
Operation cycle time	tCYC(1)		OSD function	4.5 to 5.5	0.97	1	1.02	μs
	tCYC(2)		Except OSD function	4.5 to 5.5	0.97		40	

\* Vp-p : Peak-to-peak voltage

## LC864332A/28A/24A/20A/16A/12A

Parameter	Symbol	Pins	Conditions	Ratings			Unit	
				V <sub>DD</sub> [V]	min	typ		max
Oscillation frequency range (Note 1)	FmCF(1)	CF1, CF2	12 MHz (ceramic resonator oscillation) Refer to Figure 1.	4.5 to 5.5	11.76	12	12.24	MHz
	FmCF(2)		12.08 MHz (ceramic resonator oscillation) Refer to Figure 1.		11.84	12.08	12.32	
	FmLC	LC1, LC2	14.11 MHz (LC oscillation) Refer to Figure 2.	4.5 to 5.5		14.11		
	FmRC		RC oscillation	4.5 to 5.5	0.3	0.8	2.0	
Oscillation stable time period (Note 2)	tmsCF(1)	CF1, CF2	12 MHz (ceramic resonator oscillation) Refer to Figure 3.	4.5 to 5.5		0.02	0.2	ms
	tmsCF(2)		12.08 MHz (ceramic resonator oscillation) Refer to Figure 3.			0.02	0.2	

(Note 1) Refer to Table 1 and 2 for the oscillation constant.

(Note 2) The oscillation stable time is a period necessary for the oscillation to be stable after the power first applied, the HOLD mode released the main-clock oscillation stop instruction released.  
Refer to the Figure 3 for details.

## LC864332A/28A/24A/20A/16A/12A

### 3. Electrical Characteristics at Ta = -30°C to +70°C, VSS = 0 V

Parameter	Symbol	Pins	Conditions	Ratings			Unit	
				V <sub>DD</sub> [V]	min	typ		max
Input high-level current	I <sub>IH</sub> (1)	<ul style="list-style-type: none"> <li>Port 1</li> <li>Port 0 without pull-up MOS transistor</li> </ul>	<ul style="list-style-type: none"> <li>Output disable</li> <li>Pull-up MOS transistor OFF</li> <li>V<sub>IN</sub> = V<sub>DD</sub> (including the off-leak current of the output transistor)</li> </ul>	4.5 to 5.5			1	μA
	I <sub>IH</sub> (2)	<ul style="list-style-type: none"> <li>Port 7 without pull-up MOS transistor</li> <li>Port 9</li> <li><math>\overline{\text{RES}}</math></li> <li><math>\overline{\text{HS}}</math>, <math>\overline{\text{VS}}</math></li> </ul>	V <sub>IN</sub> = V <sub>DD</sub>	4.5 to 5.5			1	
Input low-level current	I <sub>IL</sub> (1)	<ul style="list-style-type: none"> <li>Port 1</li> <li>Port 0 without pull-up MOS transistor</li> </ul>	<ul style="list-style-type: none"> <li>Output disable</li> <li>Pull-up MOS transistor OFF</li> <li>V<sub>IN</sub> = V<sub>SS</sub> (including the off-leak current of the output transistor)</li> </ul>	4.5 to 5.5	-1			
	I <sub>IL</sub> (2)	<ul style="list-style-type: none"> <li>Port 7 without pull-up MOS transistor</li> <li>Port 9</li> </ul>	V <sub>IN</sub> = V <sub>SS</sub>	4.5 to 5.5	-1			
	I <sub>IL</sub> (3)	<ul style="list-style-type: none"> <li><math>\overline{\text{RES}}</math></li> <li><math>\overline{\text{HS}}</math>, <math>\overline{\text{VS}}</math></li> </ul>	V <sub>IN</sub> = V <sub>SS</sub>	4.5 to 5.5	-1			
Output high-level voltage	V <sub>OH</sub> (1)	CMOS output of ports 0, 1	I <sub>OH</sub> = -1.0 mA	4.5 to 5.5	V <sub>DD</sub> -1			V
	V <sub>OH</sub> (2)	R, G, B, BL, I	I <sub>OH</sub> = -0.1 mA	4.5 to 5.5	V <sub>DD</sub> -0.5			
Output low-level voltage	V <sub>OL</sub> (1)	Ports 0, 1	I <sub>OL</sub> = 10 mA	4.5 to 5.5			1.5	
	V <sub>OL</sub> (2)	Ports 0, 1	<ul style="list-style-type: none"> <li>I<sub>OL</sub> = 1.6 mA</li> <li>The total current of the ports 0, 1 is 40 mA or less.</li> </ul>	4.5 to 5.5			0.4	
	V <sub>OL</sub> (3)	<ul style="list-style-type: none"> <li>R, G, B, BL, I</li> <li>PWM0 to PWM9</li> </ul>	<ul style="list-style-type: none"> <li>I<sub>OL</sub> = 3.0 mA</li> <li>The current of any unmeasured pin is 3 mA or less.</li> </ul>	4.5 to 5.5			0.4	
	V <sub>OL</sub> (4)	P70	I <sub>OL</sub> = 1 mA	4.5 to 5.5			0.4	
Pull-up MOS transistor resistance	R <sub>pu</sub>	<ul style="list-style-type: none"> <li>Ports 0, 1</li> <li>Port 7</li> </ul>	V <sub>OH</sub> = 0.9 V <sub>DD</sub>	4.5 to 5.5	13	38	80	kΩ
Output off-leakage current	I <sub>OFF</sub>	PWM0 to PWM9	V <sub>OUT</sub> = 13.5 V	4.5 to 5.5			5	μA
Hysteresis voltage	V <sub>HIS</sub>	<ul style="list-style-type: none"> <li>Ports 0, 1</li> <li>Port 7</li> <li><math>\overline{\text{RES}}</math></li> <li><math>\overline{\text{HS}}</math>, <math>\overline{\text{VS}}</math></li> </ul>	Output disable	4.5 to 5.5		0.1V <sub>DD</sub>		V

## LC864332A/28A/24A/20A/16A/12A

Parameter	Symbol	Pins	Conditions	Ratings			Unit	
				V <sub>DD</sub> [V]	min	typ		max
Input clamp voltage	V <sub>CLMP</sub>	CVIN		5.0	2.3	2.5	2.7	V
Pin capacitance	CP	All pins	<ul style="list-style-type: none"> <li>f = 1MHz</li> <li>Unmeasured terminals for the input are set to V<sub>SS</sub> level.</li> <li>Ta = 25°C</li> </ul>	4.5 to 5.5		10		pF

### 4. Serial Input/Output Characteristics at Ta = -30°C to +70°C, V<sub>SS</sub> = 0 V

Parameter		Symbol	Pins	Conditions	Ratings			Unit	
					V <sub>DD</sub> [V]	min	typ		max
Serial clock	Input clock	Cycle	tCKCY(1)	<ul style="list-style-type: none"> <li>SCK0</li> <li>SCLK0</li> </ul>	Refer to Figure 5.	4.5 to 5.5			tCYC
		Low level pulse width	tCKL(1)				1		
		High level pulse width	tCKH(1)				1		
	Output clock	Cycle	tCKCY(2)	<ul style="list-style-type: none"> <li>SCK0</li> <li>SCLK0</li> </ul>	<ul style="list-style-type: none"> <li>Use an external pull-up resistor (1 kΩ) when an open drain output</li> <li>Refer to Figure 5.</li> </ul>	4.5 to 5.5	2		
		Low level pulse width	tCKL(2)					1/2tCKCY	
		High level pulse width	tCKH(2)					1/2tCKCY	
Serial input	Data set-up time	tICK	• SI0	<ul style="list-style-type: none"> <li>Set to the rise of SCK0</li> <li>Refer to Figure 5.</li> </ul>	4.5 to 5.5	0.1		μs	
	Data hold time	tCKI				4.5 to 5.5	0.1		
Serial output	Output delay time (External serial clock)	tCKO(1)	• SO0	<ul style="list-style-type: none"> <li>Use an external pull-up resistor (1 kΩ) when an open drain output.</li> <li>Set to the fall of SCK0</li> <li>Refer to Figure 5.</li> </ul>	4.5 to 5.5			μs	
	Output delay time (Internal serial clock)	tCKO(2)				4.5 to 5.5			7/12tCYC +0.2

## LC864332A/28A/24A/20A/16A/12A

### 5. Pulse Input Conditions at Ta = -30°C to +70°C, V<sub>SS</sub> = 0 V

Parameter	Symbol	Pins	Conditions	Ratings			Unit	
				V <sub>DD</sub> [V]	min	typ		max
High/low level pulse width	tPIH(1) tPIL(1)	• INT0, INT1 • INT2/T0IN	• Interrupt acceptable • Timer0-countable	4.5 to 5.5	1			tCYC
	tPIH(2) tPIL(2)	INT3/T0IN (The noise rejection clock is set to 1/1)	• Interrupt acceptable • Timer0-countable	4.5 to 5.5	2			
	tPIH(3) tPIL(3)	INT3/T0IN (The noise rejection clock is set to 1/16)	• Interrupt acceptable • Timer0-countable	4.5 to 5.5	32			
	tPIL(4)	$\overline{\text{RES}}$	Reset acceptable	4.5 to 5.5	200			μs
	tPIH(5) tPIL(5)	$\overline{\text{HS}}, \overline{\text{VS}}$	Display position controllable Each active edge of $\overline{\text{HS}}, \overline{\text{VS}}$ must be more than 1tCYC. Refer to Figure 7.	4.5 to 5.5	10			tCYC
Rising/falling time	tTHL tTLH	$\overline{\text{HS}}$	Refer to Figure 7.	4.5 to 5.5			500	ns
Horizontal pull-in range	FH	$\overline{\text{HS}}$	The monitor point in Figure 10 is 1/2 V <sub>DD</sub> .	4.5 to 5.5	15.23	15.73	16.23	kHz

### 6. A/D Converter Characteristics at Ta = -30°C to +70°C, V<sub>SS</sub> = 0 V

Parameter	Symbol	Pins	Conditions	Ratings			Unit	
				V <sub>DD</sub> [V]	min	typ		max
Resolution	N			4.5 to 5.5		5		bit
Absolute precision	ET	(Note 3)		4.5 to 5.5		±1/4	±3/4	LSB
Conversion time	tCAD	From Vref selection to when the result is output	1 bit conversion time = 2tCYC	4.5 to 5.5		2		μs
Reference current	I <sub>REF</sub>		(Regulate the ladder resistor)	4.5 to 5.5		1.0	2.0	mA
Analog input voltage range	V <sub>AIN</sub>	AN0 to AN3		4.5 to 5.5	V <sub>SS</sub>		V <sub>DD</sub>	V
Analog port input current	I <sub>AINH</sub>		V <sub>AIN</sub> = V <sub>DD</sub>	4.5 to 5.5			1	μA
	I <sub>AINL</sub>		V <sub>AIN</sub> = V <sub>SS</sub>	4.5 to 5.5	-1			

(Note 3) Absolute precision excepts quantizing error (±1/2 LSB).

**7. Current Drain Characteristics at Ta = -30°C to +70°C, VSS = 0 V**

Parameter	Symbol	Pins	Conditions	Ratings			Unit	
				V <sub>DD</sub> [V]	min	typ		max
Current drain during basic operation (Note 4)	I <sub>DDOP</sub> (1)	DVDD, AVDD	<ul style="list-style-type: none"> <li>• FmCF = 12 MHz or FmCF = 12.08 MHz When ceramic resonator oscillation</li> <li>• FmLC = 14.11 MHz When LC oscillation</li> <li>• System clock : CF oscillation</li> <li>• Internal RC oscillation stops</li> </ul>	4.5 to 5.5		16	28	mA
Current drain in HALT mode (Note 4)	I <sub>DDHALT</sub> (1)	DVDD, AVDD	<ul style="list-style-type: none"> <li>• HALT mode</li> <li>• FmCF = 12 MHz or FmCF = 12.08 MHz When ceramic resonator oscillation</li> <li>• FmLC = 0 Hz (When oscillation stops)</li> <li>• System clock : CF oscillation</li> <li>• Internal RC oscillation stops.</li> </ul>	4.5 to 5.5		5	10	mA
	I <sub>DDHALT</sub> (2)	DVDD, AVDD	<ul style="list-style-type: none"> <li>• HALT mode</li> <li>• FmCF = 0 MHz (When oscillation stops)</li> <li>• FmLC = 0 Hz (When oscillation stops)</li> <li>• System clock : Internal RC</li> </ul>	4.5 to 5.5		600	1200	μA
Current drain in HOLD mode (Note 4)	I <sub>DDHOLD</sub>	DVDD, AVDD	<ul style="list-style-type: none"> <li>• HOLD mode</li> <li>• All oscillation stops.</li> </ul>	4.5 to 5.5		0.05	20	μA

Note 4 : The currents to the output transistors and the pull-up MOS transistors are ignored.

## LC864332A/28A/24A/20A/16A/12A

Oscillation types	Manufacturer	Oscillator	C1	C2
12 MHz ceramic resonator oscillation	Murata	CSA12.0MTZ	33 pF	33 pF
		CST12.0MTW	on chip	
	Kyocera	KBR-12.0M	33 pF	33 pF
12.08 MHz ceramic resonator oscillation	Murata	CSA12.0MTZ021	33 pF	33 pF
	Kyocera	KBR-12.08M	33 pF	33 pF

\* Both C1 and C2 must use a K rank ( $\pm 10\%$ ) and SL characteristics.

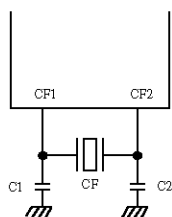
**Table 1. Ceramic Resonator Oscillation Guaranteed Constant (main-clock)**

Oscillation type	L	C3	C4
14.11 MHz LC oscillation	4.7 $\mu$ H	33 pF	45 pF (Trimmer)
	4.7 $\mu$ H $\pm 10\%$ (Variable)	33 pF	33 pF

\* See Figures 11 and 12.

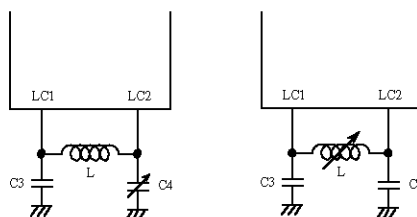
**Table 2. LC oscillation Guaranteed Constant (OSD clock)**

- (Notes)
- Since the circuit pattern affects the oscillation frequency, place the oscillation-related parts as close to the oscillation pins as possible with the shortest pattern length.
  - If you use other oscillators than those shown above, we provide no guarantee for the characteristics.
  - Adjust the voltage of monitor point in figure 10 to  $1/2 V_{DD} \pm 10\%$  by the LC oscillation constant 'L' or 'C' to lock the PLL circuit.



Main clock

**Figure 1 Ceramic Resonator Oscillation**



OSD clock

**Figure 2 LC Resonator Oscillation**



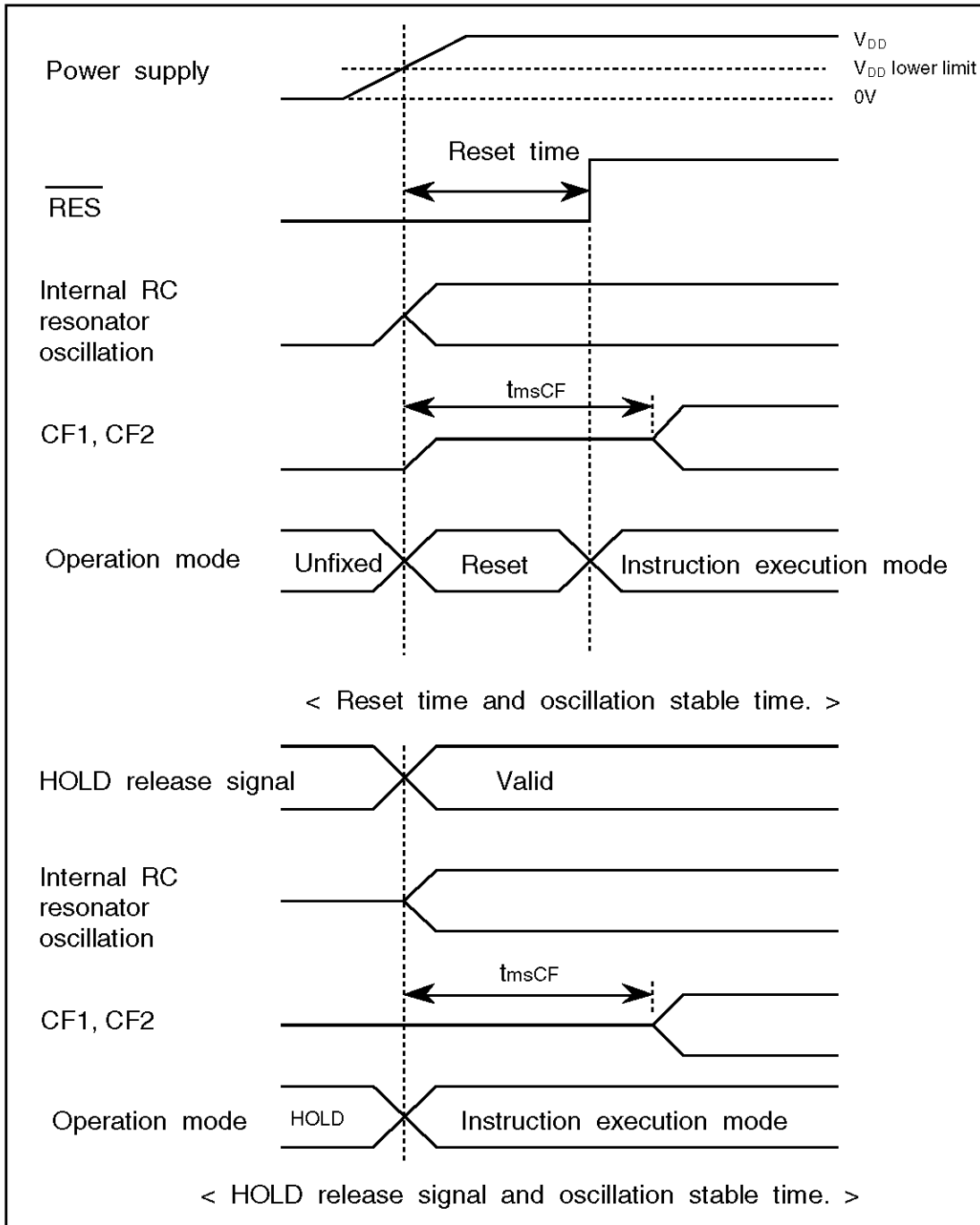
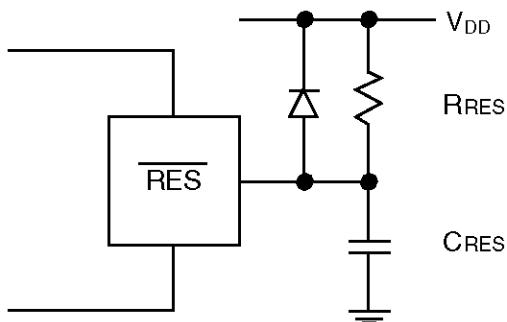


Figure 3 Oscillation Stable Time



(Note) Set the values of  $C_{\text{RES}}$ ,  $R_{\text{RES}}$  so that the reset time is 200  $\mu\text{s}$  or longer.

Figure 4 Reset Circuit

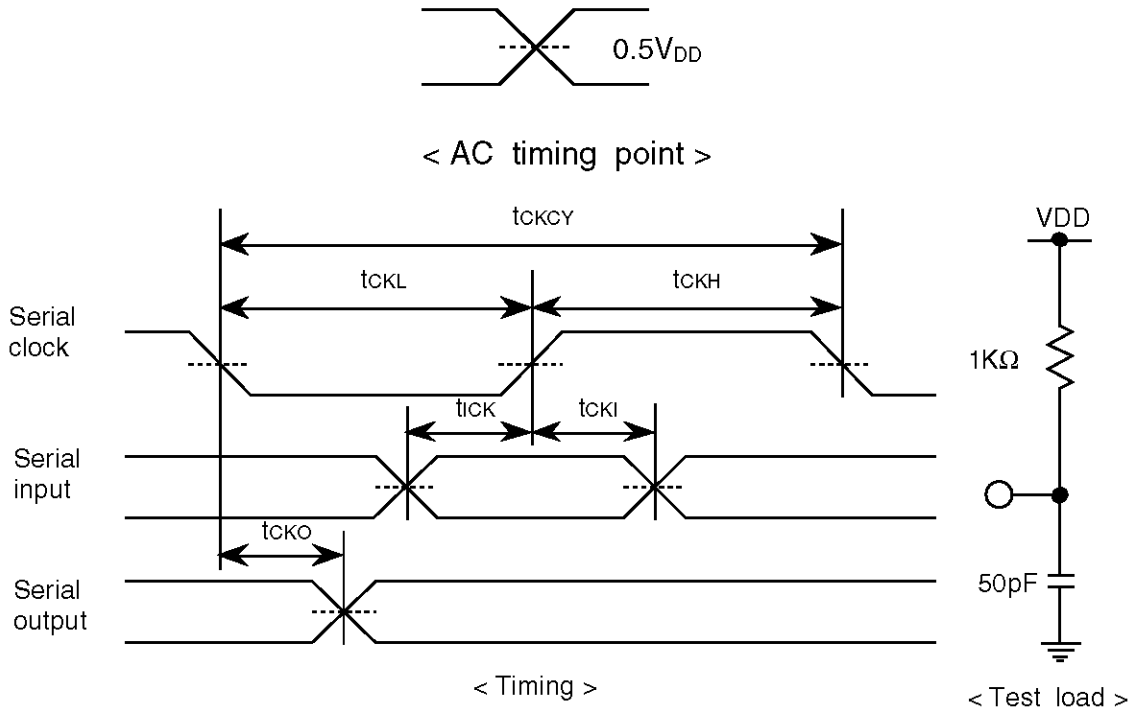


Figure 5 Serial Input/output Test Condition

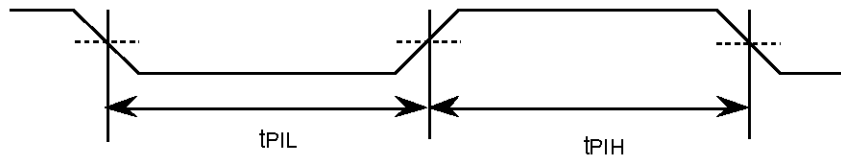


Figure 6 Pulse Input Timing Condition - 1

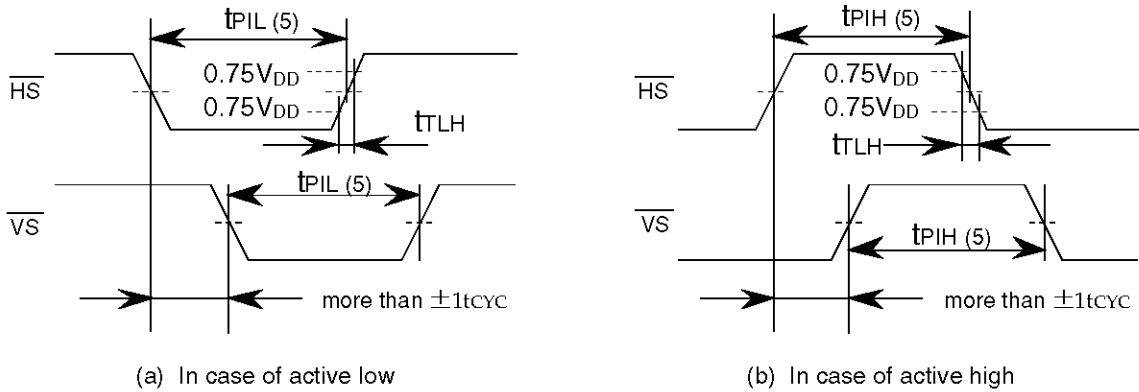


Figure 7 Pulse Input Timing Condition - 2

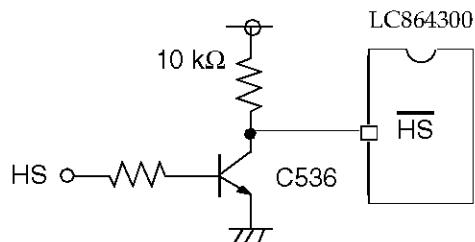


Figure 8 Recommended Interface Circuit

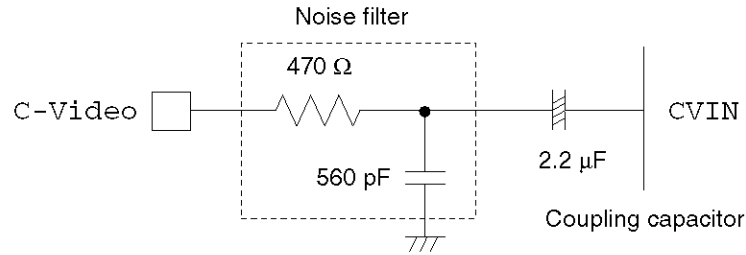


Figure 9 CVIN Recommended Circuit

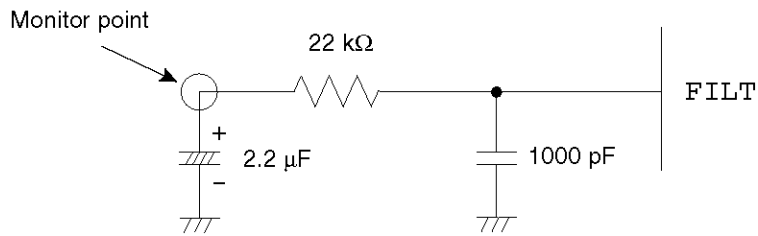


Figure 10 FILT Recommended Circuit

(Note) • Place the parts connected FILT terminal as close to the FILT as possible with the pattern length on the board.

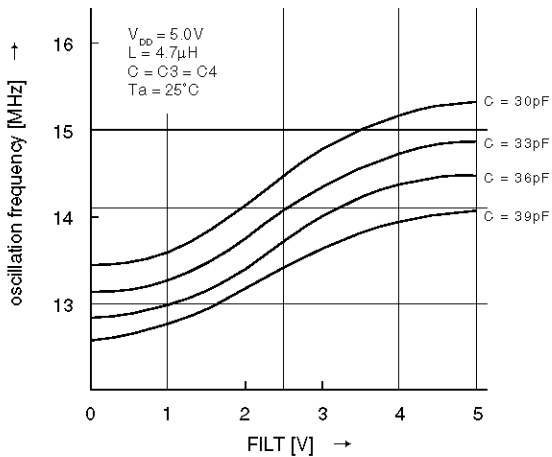


Figure 11 FILT-LC Oscillation Frequency(1)

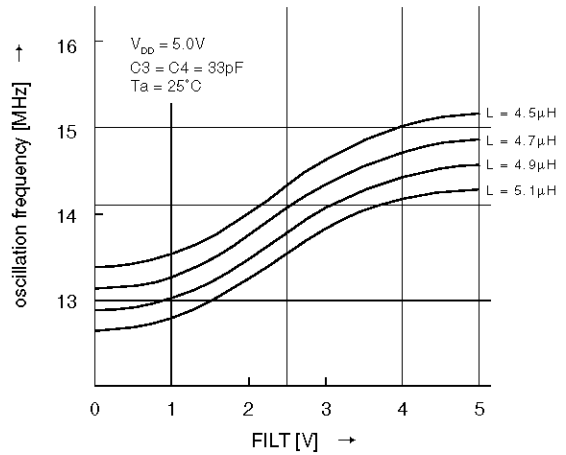


Figure 12 FILT-LC Oscillation Frequency(2)

- No products described or contained herein are intended for use in surgical implants, life-support systems, aerospace equipment, nuclear power control systems, vehicles, disaster/crime-prevention equipment and the like, the failure of which may directly or indirectly cause injury, death or property loss.
- Anyone purchasing any products described or contained herein for an above-mentioned use shall:
  - ① Accept full responsibility and indemnify and defend SANYO ELECTRIC CO., LTD., its affiliates, subsidiaries and distributors and all their officers and employees, jointly and severally, against any and all claims and litigation and all damages, cost and expenses associated with such use
  - ② Not impose any responsibility for any fault or negligence which may be cited in any such claim or litigation on SANYO ELECTRIC CO., LTD., its affiliates, subsidiaries and distributors or any of their officers and employees jointly or severally.
- Information (including circuit diagrams and circuit parameters) herein is for example only; it is not guaranteed for volume production. SANYO believes information herein is accurate and reliable, but no guarantees are made or implied regarding its use or any infringements of intellectual property rights or other rights of third parties.

This catalog provides information as of March, 1998. Specifications and information herein are subject to change without notice.